
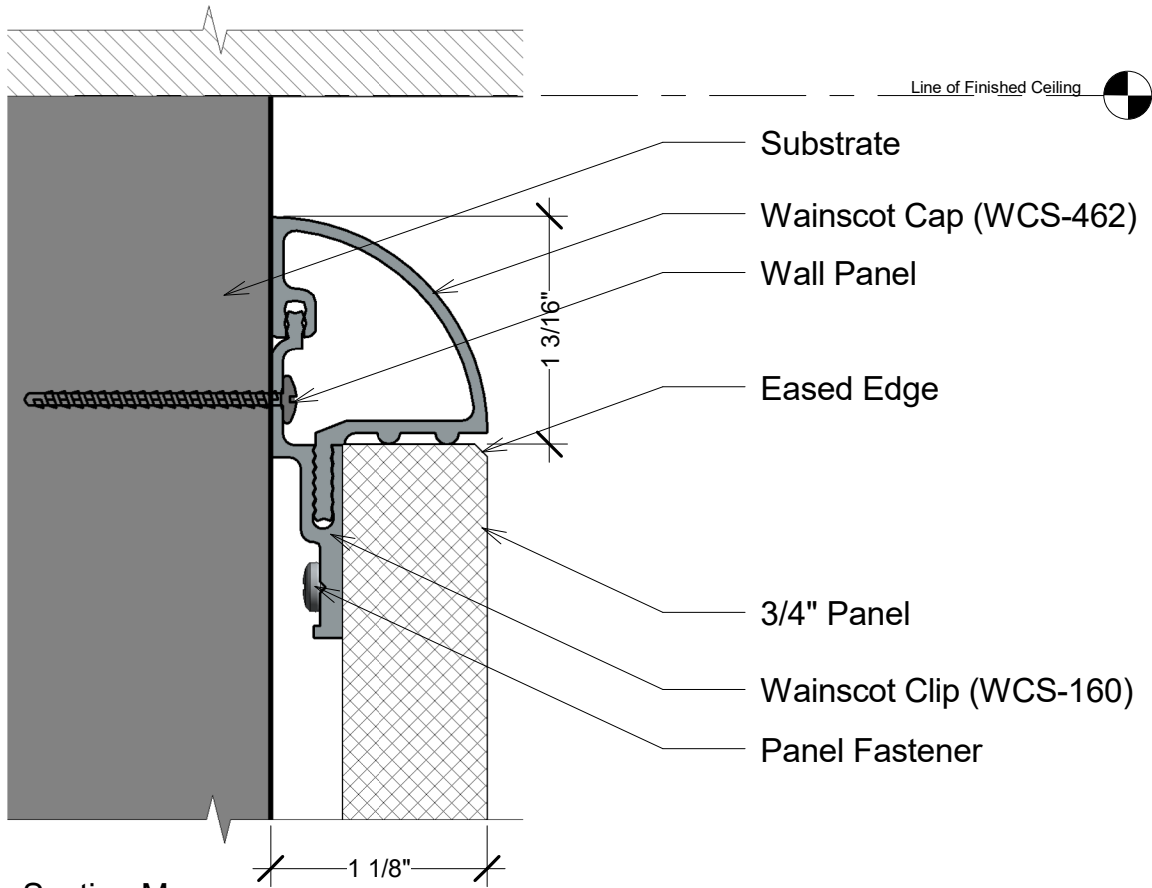
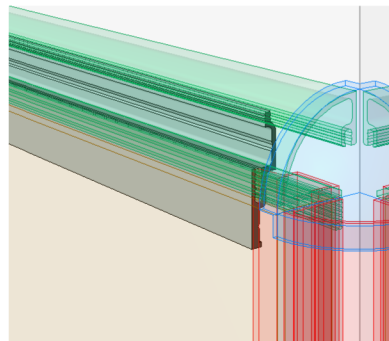


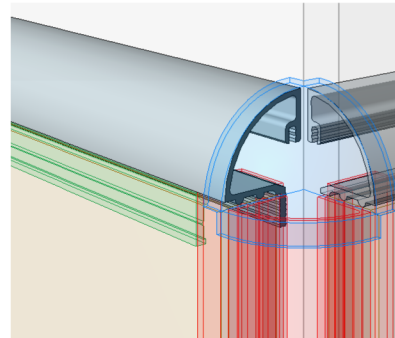
Title:		View:		Date:		 <b>Wall Panel System, Inc.</b> Tel: 877-333-4WPS support@wallpanelsystems.net Web: www.wallpanelsystems.net
Installation Instruction 3-D Model		3D		08/02/17		
Detail:	System Type:	Scale:		Drawn By:		
0	3/4" Wainscot System	N/C		WPS, Inc.		



1 Section M  
12" = 1'-0"

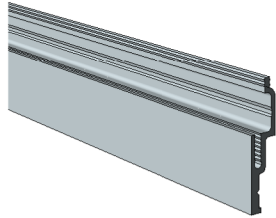


2 WCS-160 (M)  
Wainscot Clip

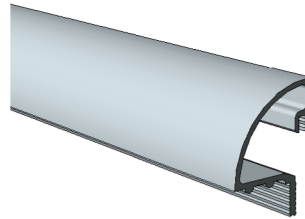


3 WCS-462 (M)  
Wainscot Cap

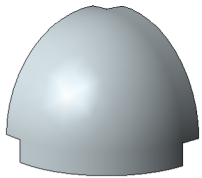
Title: <b>Top Edge</b>		View: <b>Section</b>	Date: <b>08/02/17</b>	 <b>WPS</b> Wall Panel Systems, Inc. Tel: 877-333-4WPS support@wallpanelsystems.net Web: www.wallpanelsystems.net
Detail: <b>M</b>	System Type: <b>3/4" Wainscot System</b>	Scale: <b>Full</b>	Draw By: <b>WPS, Inc.</b>	



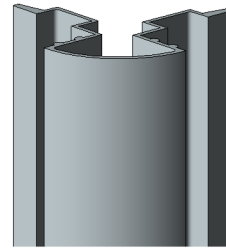
① **WCS-160 (U)**  
Wainscot Clip




② **WCS-462 (U)**  
Wainscot Cap

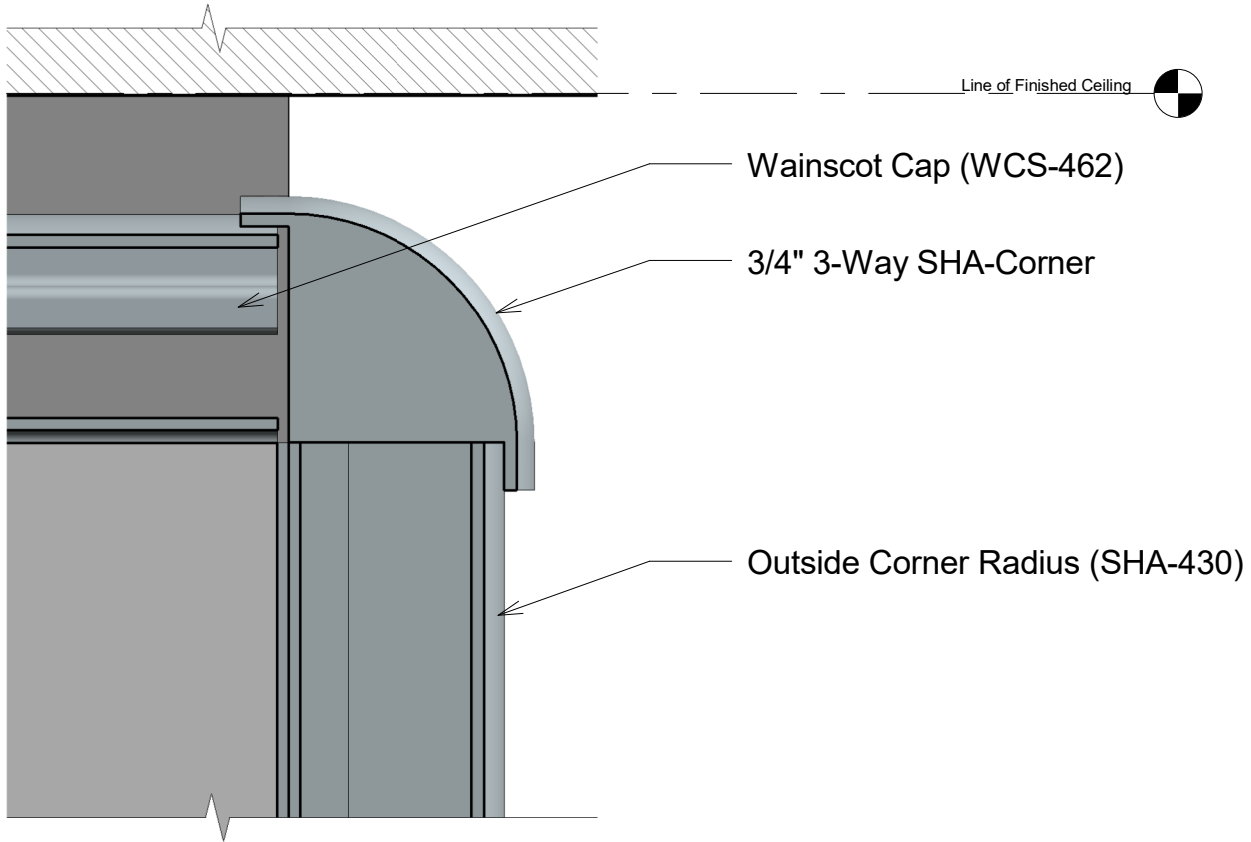


③ **SHA-Corner (U)**  
3/4" 3-Way

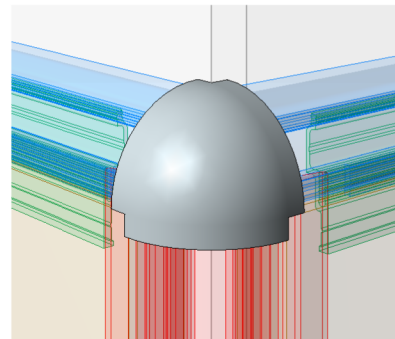


④ **SHA-430 (W)**  
Outside Corner Radius


Title: <b>Parts List</b>		View: <b>3D</b>	Date: <b>08/02/17</b>	 <b>Wall Panel Systems, Inc.</b> Tel: 877-333-4WPS support@wallpanelsystems.net Web: www.wallpanelsystems.net
Detail: <b>U</b>	System Type: <b>3/4" Wainscot System</b>	Scale: <b>N/C</b>	Draw By: <b>WPS, Inc.</b>	



1 Section W  
12" = 1'-0"



2 SHA-Corner (W)  
3/4\"/>

Title: <b>Corner Cap</b>		View: <b>Section</b>	Date: <b>08/02/17</b>	 <b>Wall Panel Systems, Inc.</b> Tel: 877-333-4WPS support@wallpanelsystems.net Web: www.wallpanelsystems.net
Detail: <b>W</b>	System Type: <b>3/4\"/&gt; </b>			
		Scale: <b>Full</b>	Draw By: <b>WPS, Inc.</b>	