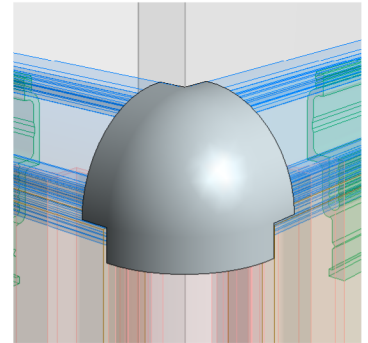


Wainscot Cap (WCS-161)

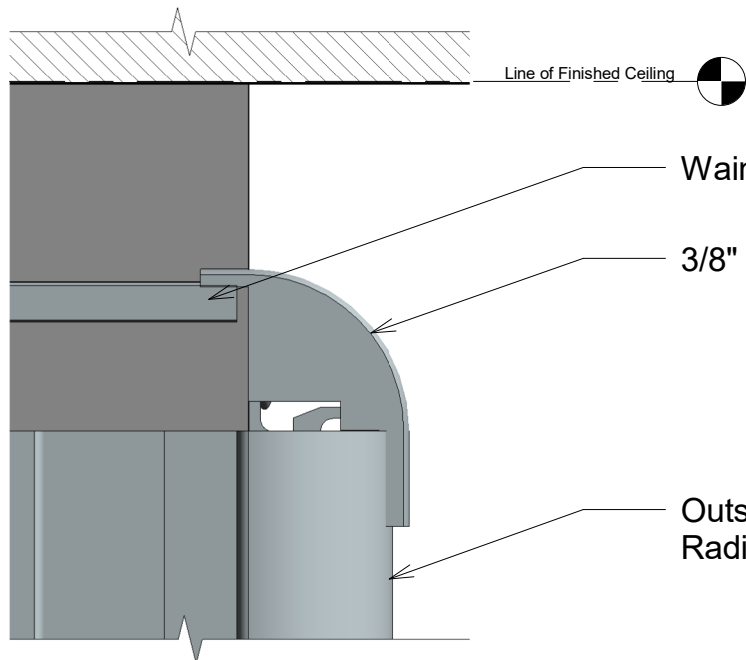
3/8" 3-Way SHA-Corner

Outside Corner Radius (SHA-130)

1 Section W-1  
12" = 1'-0"



3 SHA-Corner (W)  
3/8" 3-Way

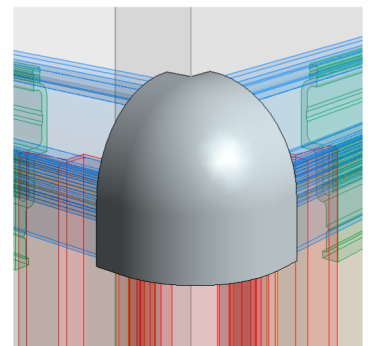


Wainscot Cap (WCS-162)


3/8" 3-Way CAP-Corner

Outside Corner Radius (SHA-130)

2 Section W-2  
12" = 1'-0"



4 CAP-Corner (W)  
3/8" 3-Way

Title: <b>Corner Cap</b>		View: <b>Section</b>	Date: <b>07/28/17</b>	 <b>Wall Panel Systems, Inc.</b> Tel: 877-333-4WPS support@wallpanelsystems.net Web: www.wallpanelsystems.net © 2011 Wall Panel Systems Inc.
Detail: <b>W</b>	System Type: <b>3/8" Wainscot System</b>	Scale: <b>Full</b>	Draw By: <b>WPS, Inc.</b>	